



**MPS 6000.R**



**MPS 6000.Y**

Operation of MPS electromagnetic high resolution module is based on an electromagnetic digital converter. The module is designed to be incorporated into customer's weighing systems. Compact design and inbuilt electronics ensure great possibilities when it comes to module's adaptation capabilities. It may be installed either on technological lines or built into customer's devices or laboratory apparatus. Measurements may be performed by means of a weighing pan or using an under pan weighing system.

Due to high precision of a measurement it is recommended to build the module into the customer's device (e.g. draft shield), thus limiting ambient conditions influence.

Power supplier for MPS weighing module comes standard.

Possibility of two hardware configurations:

- 1) MPS 6000.R – module connected to an operating panel equipped with an LCD display
- 2) MPS 6000.Y – module connected to an operating panel equipped with 5,7" touch panel

### Features:

- ✓ Brand new construction of the electromagnetic mechanism housed in an aluminium casing,
- ✓ Reading unit of 0,01 g,
- ✓ Ease of adaptation to required usage area,
- ✓ Internal adjustment,
- ✓ Cooperation with two various terminals R and Y.

## Technical specification:

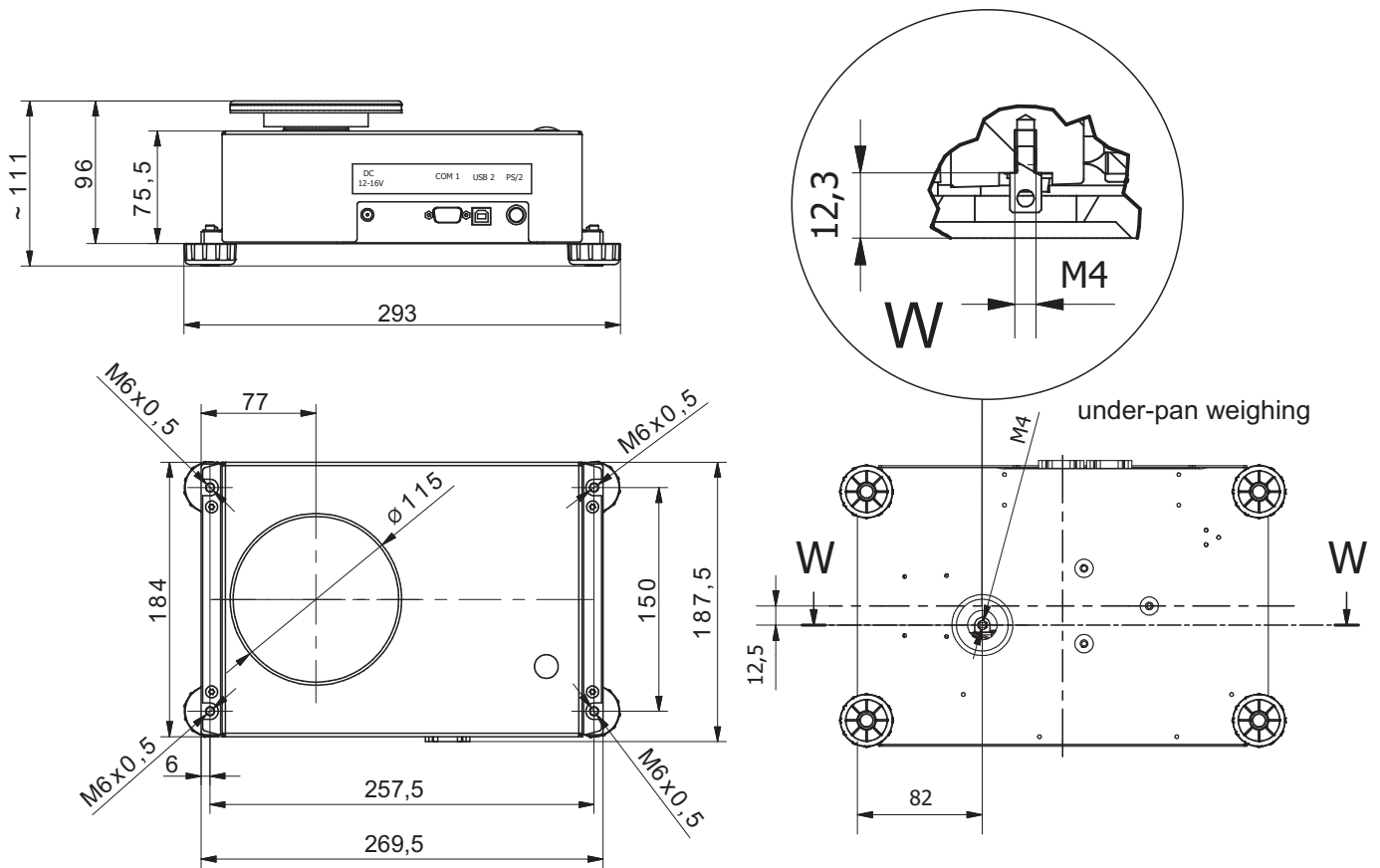
	MPS 6000.R	MPS 6000.Y
Max capacity [Max]	6000 g	6000 g
Minimum load [Min]	500 mg	500 mg
Reading unit [d]	10 mg	10 mg
Tare range	-6000 g	-6000 g
Repeatability *	15 mg	15 mg
Linearity	± 30 mg	± 30 mg
LCD display	operating panel equipped with an LCD display	operating panel equipped with 5,7" touch panel
Weighing pan size	Ø 115 mm	
Working temperature	+10° ÷ +40 °C	
Relative humidity **	40% ÷ 80%	
IP Rate	IP 32	
Housing	aluminium	
Stabilization time ***	1,5 s	
Sensitivity drift	2 ppm/°C in temperature range +15° ÷ +35 °C	
Cable length Panel - Module	1 meter (optionally up to 5 m)	
Interface	1×RS232, 1×USB-B	2×RS232, 2×USB, 1×Ethernet, 4×WE, 4×WY
Power supply	12 ÷ 16 V DC / 250 mA	13,5 ÷ 16 V DC / 500 mA
Adjustment	internal	
Net weight	4700 g	4770 g
Dimensions	293 × 190 × 112 mm	
Packaging size	515 × 340 × 285 mm	

\* Repeatability is expressed as a standard deviation from 10 weighing cycles

\*\* Non-condensing conditions

\*\*\* Optimal ambient conditions

## Dimensions:



## Additional equipment:

SAL/STONE Granite Anti-Vibration Table	DJ-02 Antistatic Ionizer
Anti-Vibration Table for Laboratory Balances	ZR-02 Power Adapter
Professional Weighing Table	Mass Standard
Under-pan Weighing Rack	Adjustment Weight
"R-LAB" PC Software	RS 232 cable (balance - computer) "P0108"
„RAD-KEY" PC Software	„TARE, PRINT" Foot Button